

## OJ Air2 touch control panel



## OJ-Air2-HMI-35T

- OJ Air2 compatible
- Intuitive user interface
- 3.5" colour touchscreen
- Countersunk wall mounting
- QuickPlug™ installation

**OJ-Air2-HMI-35T is a user-friendly control panel for installation within an air handling unit or on the wall in a room. The panel is used together with an OJ-Air2Master.**

**OJ-Air2-HMI-35T has been developed by interaction designers, resulting in easy and intuitive operation. The menus are logical, easy to navigate and have easily recognisable symbols.**

**OJ-Air2-HMI-35T is used for the commissioning and everyday operation of the air handling unit and in connection with service. All system values can be seen while the settings are password protected.**

### **Intuitive touch operation**

Want to change the temperature setting? Then simply tap the temperature shown on the screen and adjust the setting with the up or down arrows in the associated menu. It has never been easier, and the entire menu system is designed according to the same principle.

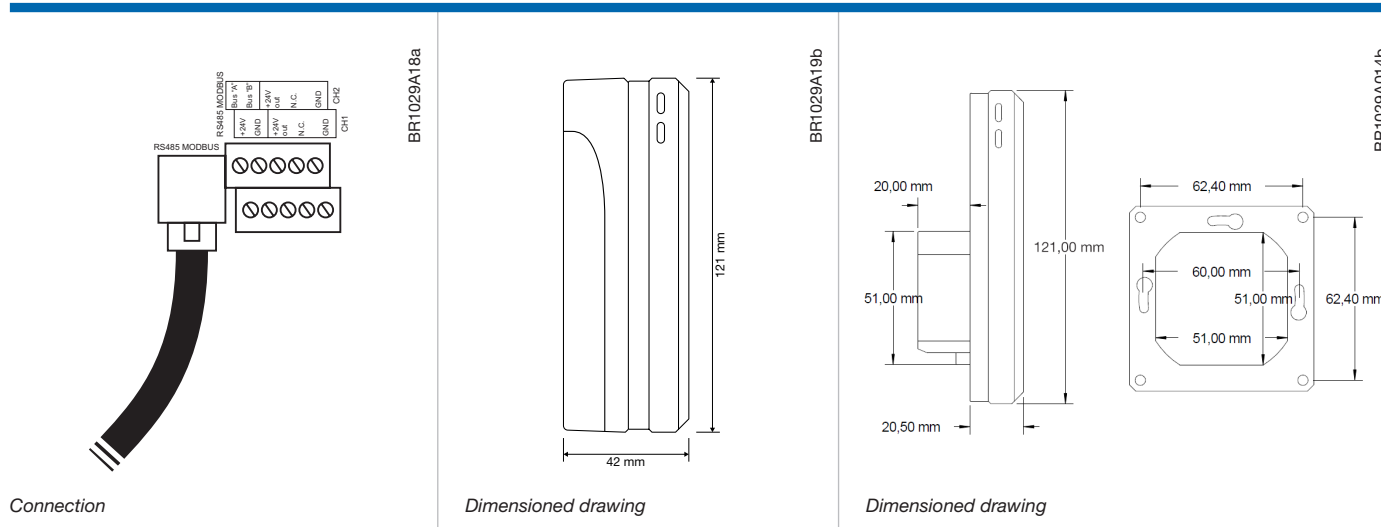
### **No secrets**

All values are visible to everyone, and a complete overview of system operation is provided for users in clear displays. Settings which are only of relevance for installers and service technicians are, however, password protected.

### **Simple installation**

OJ-Air2-HMI-35T is connected to the OJ-Air2Master via Quick Plug™ Modbus, eliminating time-consuming installation faults and troubleshooting. The software is automatically updated to the latest OJ-Air2Master version. You therefore always have the right version in stock, because there is only one.





### Complete overview of components

Does the filter need to be replaced? Simply tap the filter icon for an immediate answer. Other components of the air handling unit work in the same intuitive way. The status of fans and heating or cooling coils are always at hand.

### INSTALLATION

#### Installing the control panel

OJ-Air2-HMI-35T should be flush mounted in a wall box approximately 1.5 m above the floor. Or the accompanying back cover can be used if the panel is to be held in the hand or hung on the wall.

#### Cable connections

OJ-Air2-HMI-35T is connected to the OJ-Air2Master with a Quick Plug™ Modbus connection using standard telecom cable, e.g. INEC TD6006, fitted with RJ12 connectors. Alternatively, cables can be connected to screw terminals, in which case the wires must be max. 1 mm<sup>2</sup>.

### PRODUCT PROGRAMME

TYPE	PRODUCT
OJ-Air2-HMI-35T	OJ Air2 touch control panel
OJ-Air2Master	AHU controller

### TECHNICAL DATA

Display	3.5" TFT colour touchscreen
Supply voltage	24 V DC ±10%
Power consumption	<0.9 W
Electrical connection	screw terminals, max. 1 mm <sup>2</sup>
QuickPlug™ Modbus	1 x RJ12 (6P6C)
Ambient operating temperature	-10/+40°C
Dimensions	80 x 121 x 42 mm
Installation depth	22 mm
Enclosure	IP21
Weight	190 g

### CE marking

OJ-Air2-HMI-35T meets the requirements of the following directives:

EMC Directive  
 EN 61000-6-2                      EN 61000-6-3